

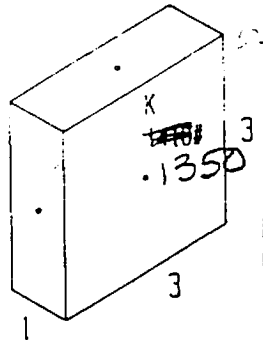
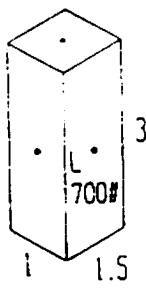
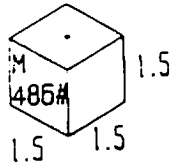
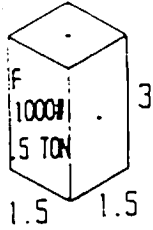
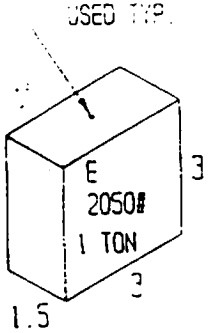
CONCRETE SHIELDING

DIMENSIONS & WEIGHTS

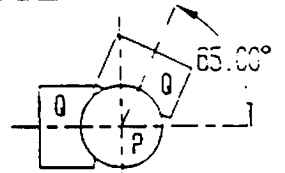
REV. 1988

SMALL BLOCKS

1 1/4" LIFTING EYE BOLT USED TYP.

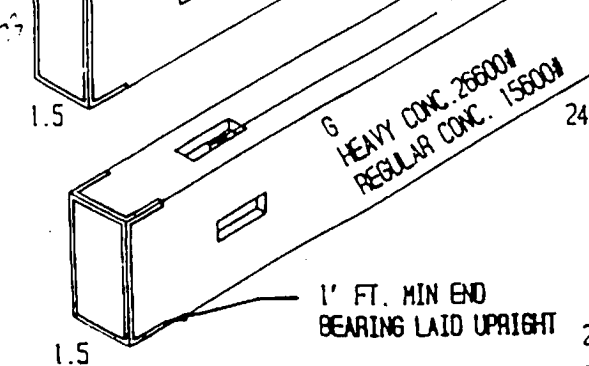
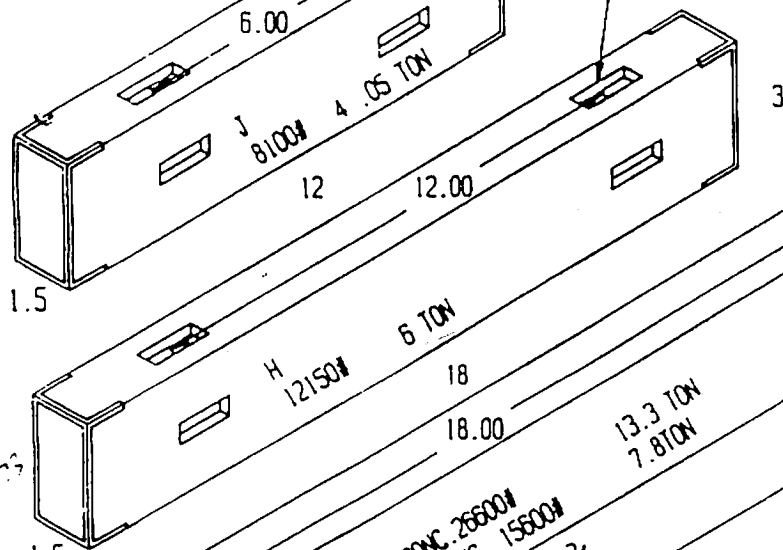
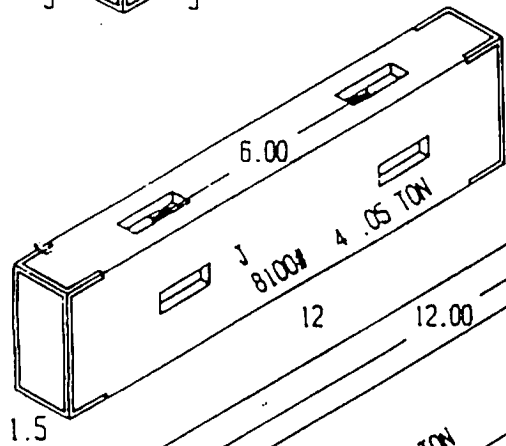
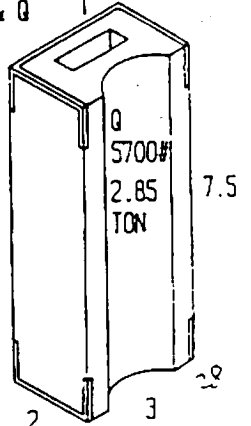
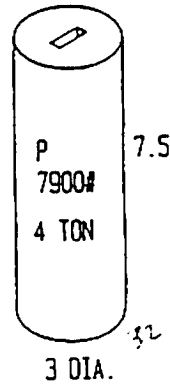
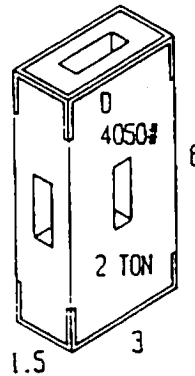
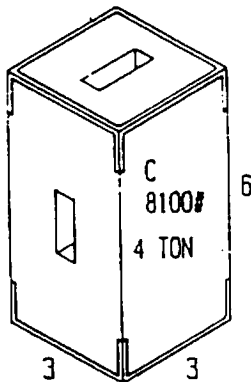
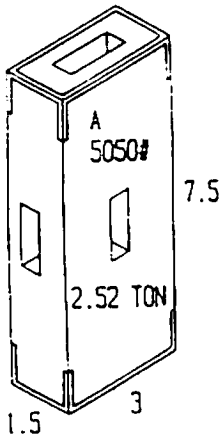
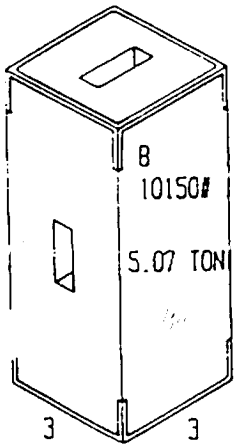


HINGE BLOCKS

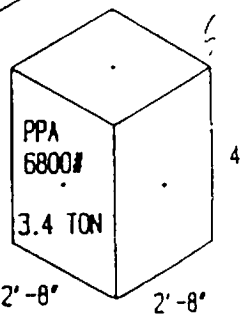
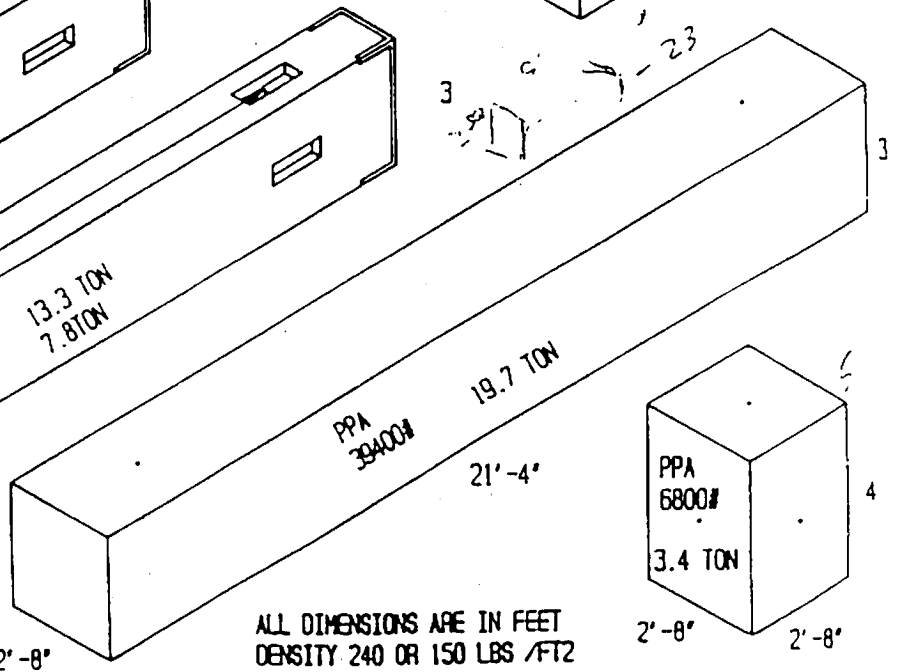
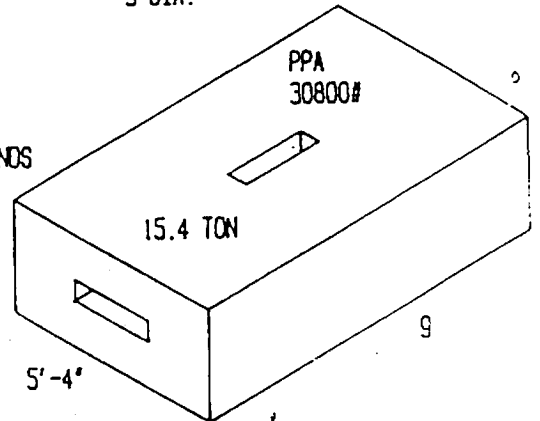


PLAN VIEW SHOWING USAGE OF HINGE BLOCKS P & Q

LARGE BLOCKS



1 1/2" DIA HOOKS BOTH ENDS IN 5"X15" POCKETS



1' FT. MIN END BEARING LAID UPRIGHT

ALL DIMENSIONS ARE IN FEET DENSITY 240 OR 150 LBS /FT²